

Basket Strainer Super Steel Series

Basket Strainer SS Series is made for highly corrosive fluids under severe working conditions. SBM-PTV basket strainers protect equipment by mechanically removing solids from liquids and other piping systems with the use of a perforated or wire mesh straining screen in a vertically oriented chamber. Basket strainers have more debris holding capacity than Y strainers, and generally have less of a pressure drop, which is why they are ideal in liquid applications.

Basket strainers are sometimes used in double arrangements so that flow can be diverted while the system remains in service and the screen is cleaned. Basket Strainers feature top removal of the screen. The screen is in the form of a basket, with a lifting handle, so that all particulate captured and retained by the screen can be easily removed for disposal. They are intended for applications where large amounts of solids particulate are expected and where the clean-out will be frequent.

Stainless Steel is highly corrosion resistant, extremely strong, and is commonly specified for high temperature service, up to 550°C in continuous service. Stainless Steel strainers are commonly found at the chemical, food, and pharmaceutical industries.

Features:

- A) **Cast Body** made in SS316L CF3M Stainless Steel
- B) **Trim** made in SS316L Stainless Steel
- C) **Easy top removal** of the screen
- D) **Large straining capacity** without affecting pressure loss.
- E) **Provide a wide selection** of mesh sizes
- F) **High Quality stainless steel screen**; made out of high resistance wire, rugged and braided type.
- G) **Thick enough** to avoid deformation.
- H) **Drain port or drain ball valve** with NPT end; for in line emptying of condensate or water.
- I) **Bolting cover** to ease maintenance operations.
- J) **Low** pressure drop.
- K) **Large** strainer screens.
- K) **Made for high corrosive fluids** including sea water



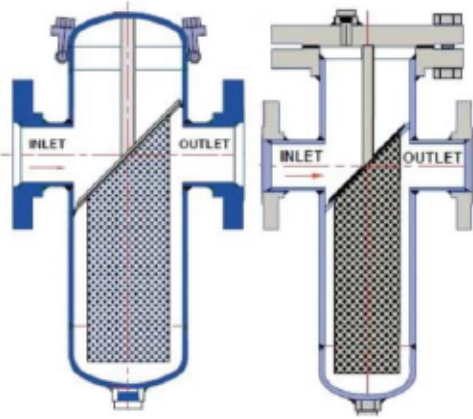
Technical Data

1. Size range: NPS 2"~16"
2. Pressure ratings: 150LB / 300LB
3. Working temperature: -29°C ~ +425°C
4. Suitable Medium: Desalination plants, power Industry, Chemical Industry, Oil and Gas, pulp and paper, Metals and Mining, Water and Waste
5. Standard Body Material: SS316L CF3M
6. Screen Material: A276 SS316L
7. Mesh: As per purchaser
8. Class 600/900 upon request

Technical Specifications

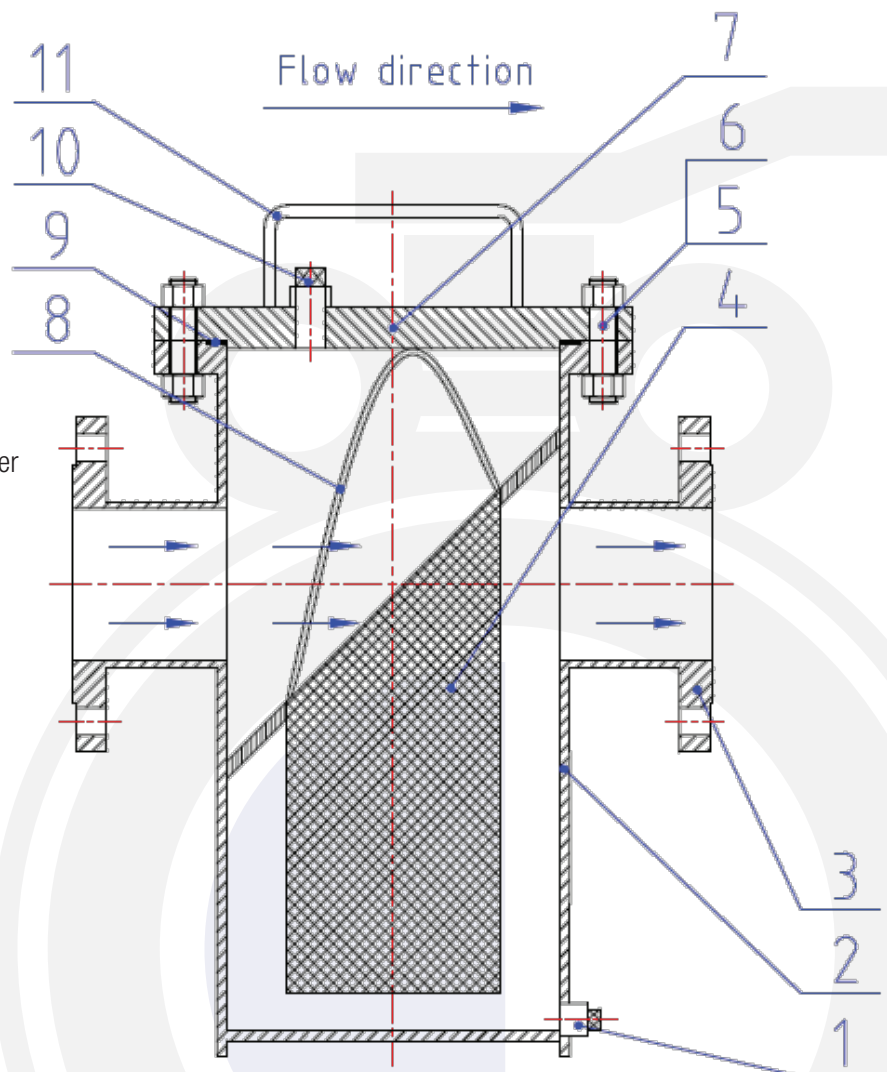
1. Design & Manufacture standard as to: ASME B31.3
ASME B16.34
2. Face to Face dimension standard as to: MFR-STD
3. Flange dimension conforms as to: ASME B16.5 RF
4. Testing and Inspection as to: API 598
5. Pressure-temperature conforms as to: ASME B16.34
6. Anti Corrosion as per NACE MR-0175 requirement

Easy top removal of the screen



Available options

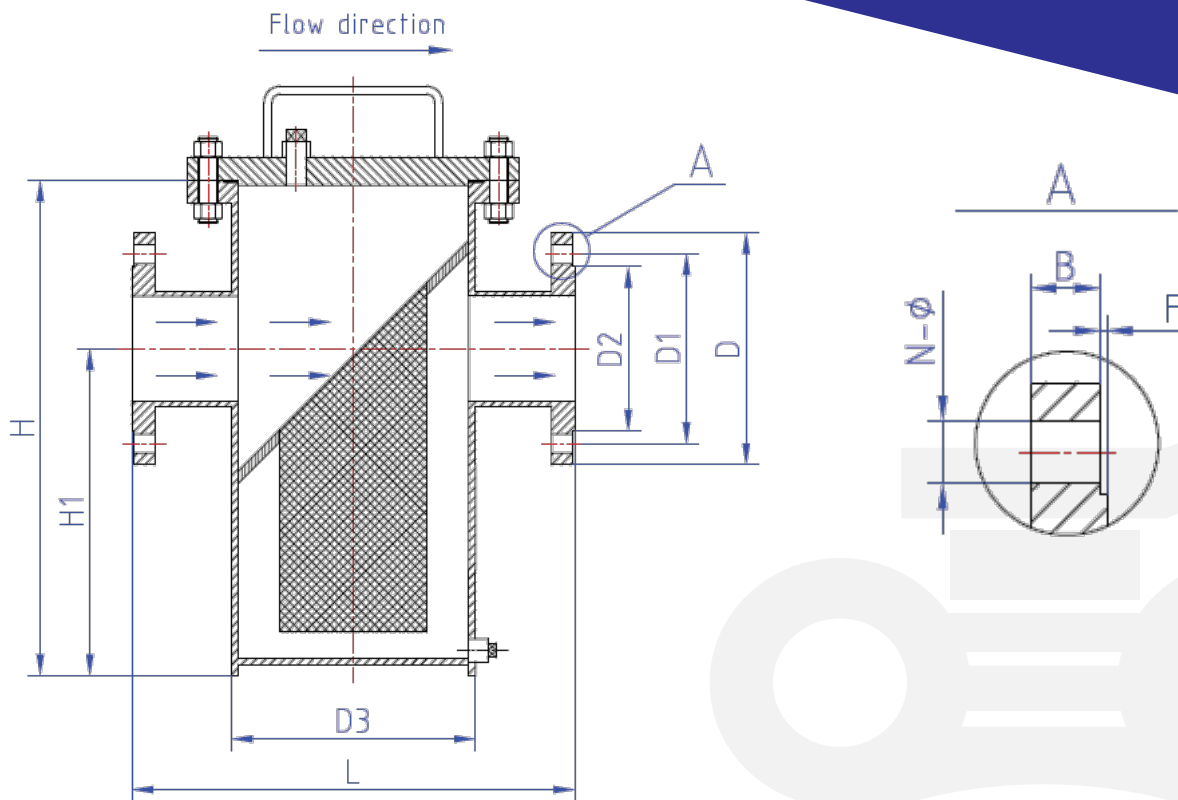
1. Quick open hinged or davit cover assembly bolted cover
2. Steam jacket for highly viscous fluids
3. Straight through or right angle configuration
4. Flanged class 600LB/900LB/1500LB/2500LB RF, RTJ or butt weld piping connections.
5. Anti-baffling flow design



Part List:

Basket Strainer SS Series

No.	Part Name	Material	Standard
1.	Bolt	B8M	ASTM A193
2.	Nut	8M	ASTM A194
3.	Gasket	SS316L+Graphite	ASTM A276
4.	Screen	SS316L	ASTM A276
5.	Drain Plug	Stainless Steel	ASTM A182 F316L
6.	Cover	Stainless Steel	ASTM A182 F316L
7.	Handle	Stainless Steel	ASTM A276 SS304
8.	Top Flange	Stainless Steel	ASTM A182 F316L
9.	Body	Stainless Steel	ASTM A351 CF3M/ASTM A276 SS316L
10.	Flange	Stainless Steel	ASTM A182 F316L



Main Dimensions:

Main Dimension of T Strainer SS Series 150LB

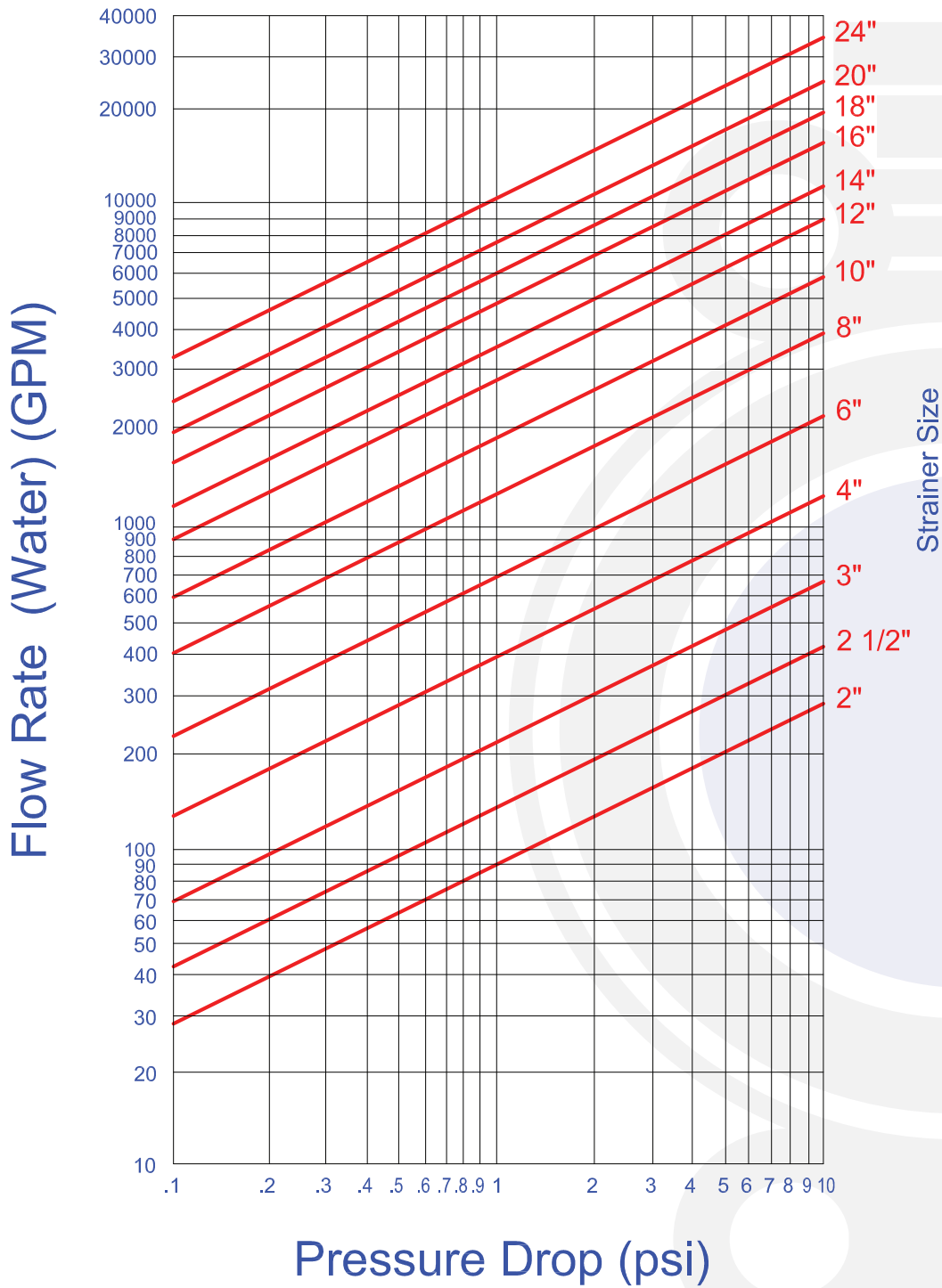
NPS	L	H	D	D1	D2	B	N-φ	F	Weight (Kg)
2"	278	166	Φ150	Φ120.7	Φ92	17.5	4-Φ19	2	11.3
2 1/2"	314	187	Φ180	Φ139.7	Φ105	21	4-Φ19	2	18.9
3"	342	205	Φ190	Φ152.4	Φ127	22.5	4-Φ19	2	22.5
4"	418	246	Φ230	Φ190.5	Φ157	22.5	8-Φ19	2	33.8
6"	500	292	Φ280	Φ241.3	Φ216	24	8-Φ22	2	54.8
8"	588	340	Φ345	Φ298.5	Φ270	27	8-Φ22	2	90.9
10"	690	398	Φ405	Φ362.0	Φ324	29	12-Φ25.5	2	129.9
12"	792	452	Φ485	Φ431.8	Φ381	31	12-Φ25.5	2	192.4
14"	852	485	Φ535	Φ476.3	Φ413	33.5	12-Φ29	2	262.4
16"	970	547	Φ595	Φ539.8	Φ470	35	16-Φ29	2	345.7

Main Dimension of T Strainer SS Series 300LB

NPS	L	H	D	D1	D2	B	N-φ	F	Weight (Kg)
2"	278	166	Φ165	Φ127	Φ92	21	8-Φ19	2	17.2
2 1/2"	314	187	Φ190	Φ149.2	Φ105	24	8-Φ22	2	25.7
3"	342	205	Φ210	Φ168.3	Φ127	27	8-Φ22	2	34.6
4"	418	246	Φ255	Φ200	Φ157	30.5	8-Φ22	2	55.1
6"	500	292	Φ320	Φ269.9	Φ216	35	12-Φ22	2	96.4
8"	588	340	Φ380	Φ330.2	Φ270	40	12-Φ25.5	2	149.2
10"	690	398	Φ445	Φ387.4	Φ324	46.5	16-Φ29	2	229.5
12"	792	452	Φ520	Φ450.8	Φ381	50	16-Φ32	2	335.6
14"	852	485	Φ585	Φ514.4	Φ413	52.5	20-Φ32	2	460.5
16"	970	547	Φ650	Φ571.5	Φ470	56	20-Φ35	2	617.4

Basket Strainer Flow Rate Vs. Pressure Drop

(Clean Screen)



ORDERING CODE:

Example: BS-SS-122-800

Basket Strainer SS Series
SS316L Stainless Steel Body
SS316L Interior
Mesh20
Class 300
Size 8"

Available Body Material Code:

SS316 CF8M: 1
SS316L CF3M: 2
SS304 CF8: 3
Duplex 2205: 4

Available Interior Material Code:

SS316 CF8M: 1
SS316L CF3M: 2
SS304 CF8: 3
Duplex 2205: 4

Available Size Code:

2": 200
2 1/2": 250
3": 300
4": 400
5": 500
6": 600
8": 800
10": 1000
12": 1200
14": 1400

Available Class

Class 150: 1
Class 300: 2
Class 600: 3
Class 900: 4